



Heating Boiler serie C

In accordance with market requirements and experiences with a series of "K" & "R" developed a new design series "C". Boilers series "C" are made of boiler plate quality C1204 thickness of 4 mm and 5 mm and produce the rated power from 25 kW to 50 kW. This structure is called. above burning, and the highest efficiency achieved through the charcoal, wood waste, biomass, however, proved to be almost the same efficiency when used as fuel wood, so that the characteristics of universality allocated "C" boiler fuel in the production program.

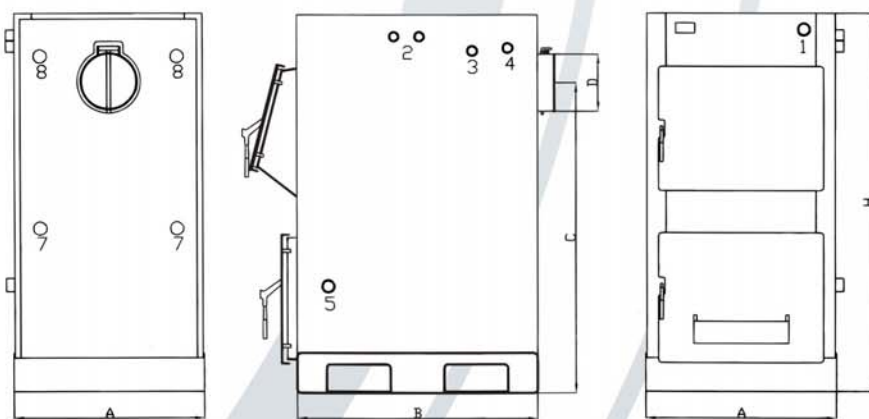
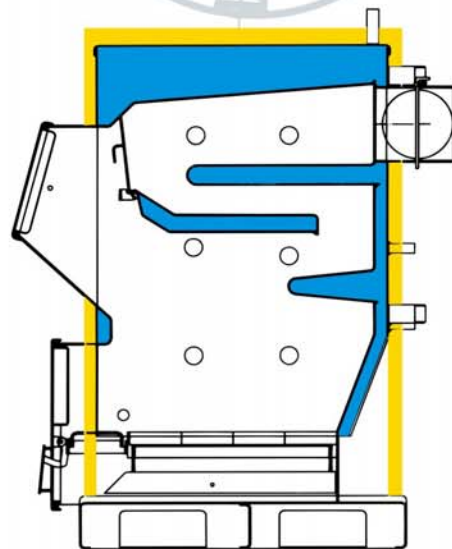
The basis of the fireplace are massive parts of gray cast that remain not deformed and the highest temperatures that can be achieved in the firebox. Rostov role in the process of combustion is very important because the cast iron heat up further and keep the temperature fireplace, regardless of mode. In this way reduces the effect of condensation and done so gives a more complete combustion phenomena tar and soot in the boiler maximum reduced.

Doors Firewood and firing were performed in the width of the firebox so that the process of cleaning the boiler much easier. Series C and has an ashtray, which outlines its maximum area covered by the ash, but I do not mind required under the draft air age. When you open the upper door in the interior of the boiler is clear partition plate that is resting on the lower end izmenjivačku box, and above the front front. This sheet is manually removed and extracted from the boiler just in case cleaning. When this work sheet must be in place, but described it only as the boiler runs at full power.

Construction of series "C" and enables easy connection of valves for thermal insurance swelling and its effective implementation is one of the most pressing factors, safe and secure working boiler.

The boiler "C33" and increasing it is possible to install the water heater volume 100 liters of heating sanitary water, and all the strength of boilers can be upgraded electric boilers from 18kW to 36kW.

For security reasons, because of possible fire and a long life, is prohibited heating rubber, plastic mass, organic track, textile rags.



type of boiler	power	working pressure	test pressure	volume of water in the boiler	mass boiler	Necessary draught	Dimensions														
							A	B	H	C	D	E	F	G	N	K	d1	d2	d3	d4	d5
	kW	MPa	MPa	L-cm ³	kg	Pa	mm														
							ool														
R65	68	300	450	128	364	23	688	825	1366	1080	180	638	545	146	100	174	1/2	3/4	3/4	3/4	6/4
R80	80	300	450	160	434	26	733	875	1415	1130	200	510	822	140	100	140	1/2	3/4	3/4	3/4	6/4
R100	100	300	450	190	471	29	808	872	1495	1175	200	556	865	140	100	175	1/2	3/4	1	3/4	2
R120	120	300	450	220	515	34	878	924	1482	1160	200	456	958	140	100	190	1/2	3/4	1	3/4	2
R140	140	300	450	300	673	36	976	992	1530	1175	250	260	1187	140	100	194	1/2	3/4	1	3/4	2
R170	170	300	450	395	862	47	960	1160	1645	1295	250	314	1230	150	160	200	1/2	3/4	N032	3/4	N080
R200	200	300	450	507	1034	50	1070	1270	1700	1300	300	291	1310	150	170	190	1/2	3/4	N032	3/4	N080
R250	250	300	450	550	1420	54	1200	1400	1870	1440	350	450	1313	120	170	190	1/2	3/4	N032	3/4	N080